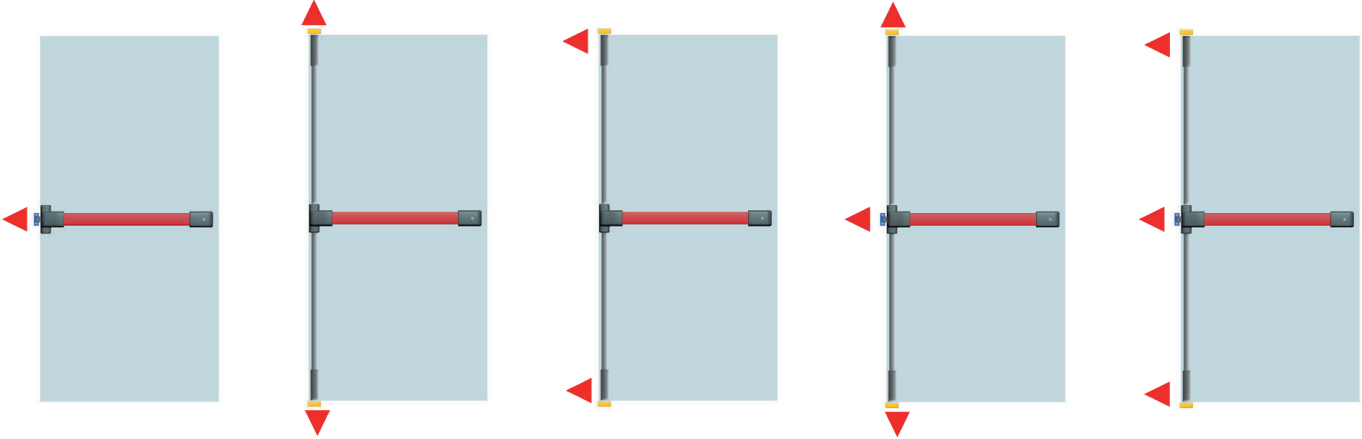


ESCAPE 5 / ESCAPE 10



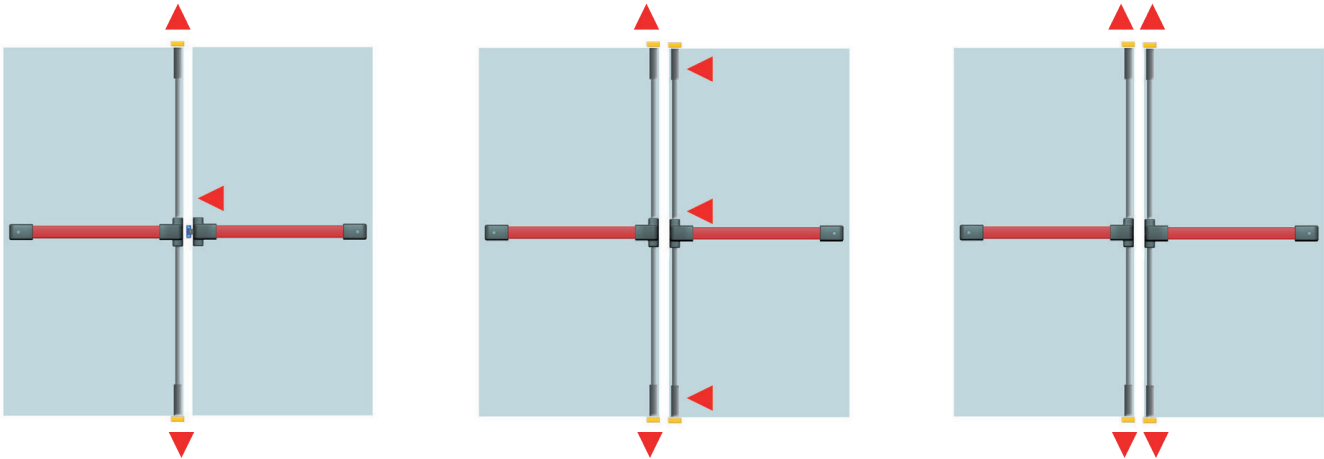
ESCAPE 5; 10

ESCAPE 5; 10

ESCAPE 5; 10

ESCAPE 5; 10

ESCAPE 5; 10



ESCAPE 5; 10

ESCAPE 5; 10

ESCAPE 5; 10

ESCAPE 5; 10

* ESCAPE 5; 10

* ESCAPE 5; 10

EN 1125:2008



CE

0333

