

# FMP9545 | 9546

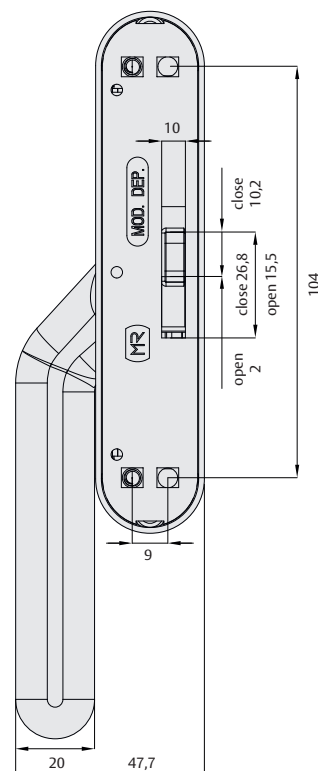
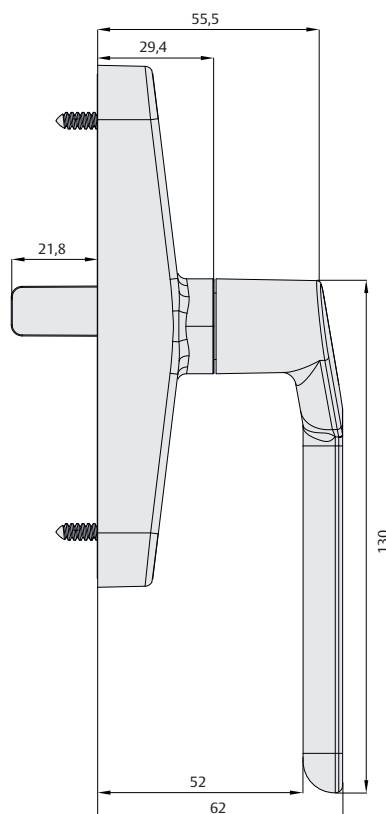
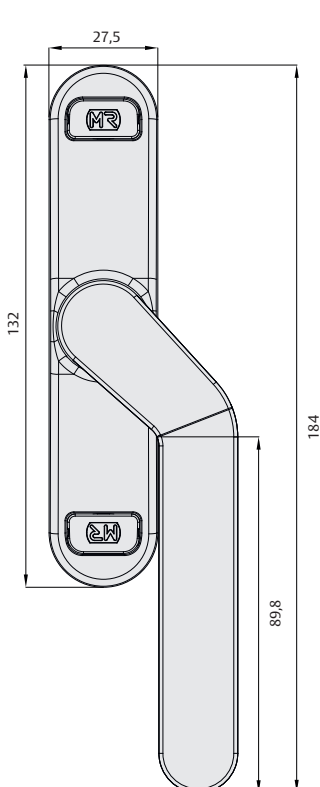
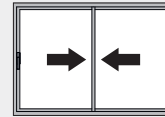
MULTIPOINT LOCK

Multipoint lock with cremone handle for straight-cut sliding systems.

- Offset handle designed specifically for narrow profiles
- Provides a safer and more ergonomic way to operate the cremone mechanism
- It will have left and right handle
- Same body as the 9540, making it perfect for retrofit

**FMP9545 (RIGHT)** - 3 locking points retrofit  
**FMP9546 (LEFT)** - 3 locking points

**FMP9545 (RIGHT) 1P** - Single locking point  
**FMP9546 (LEFT) 1P** - Single locking point



# FMP9545 | 9546

MULTIPOINT LOCK



ASSA ABLOY

